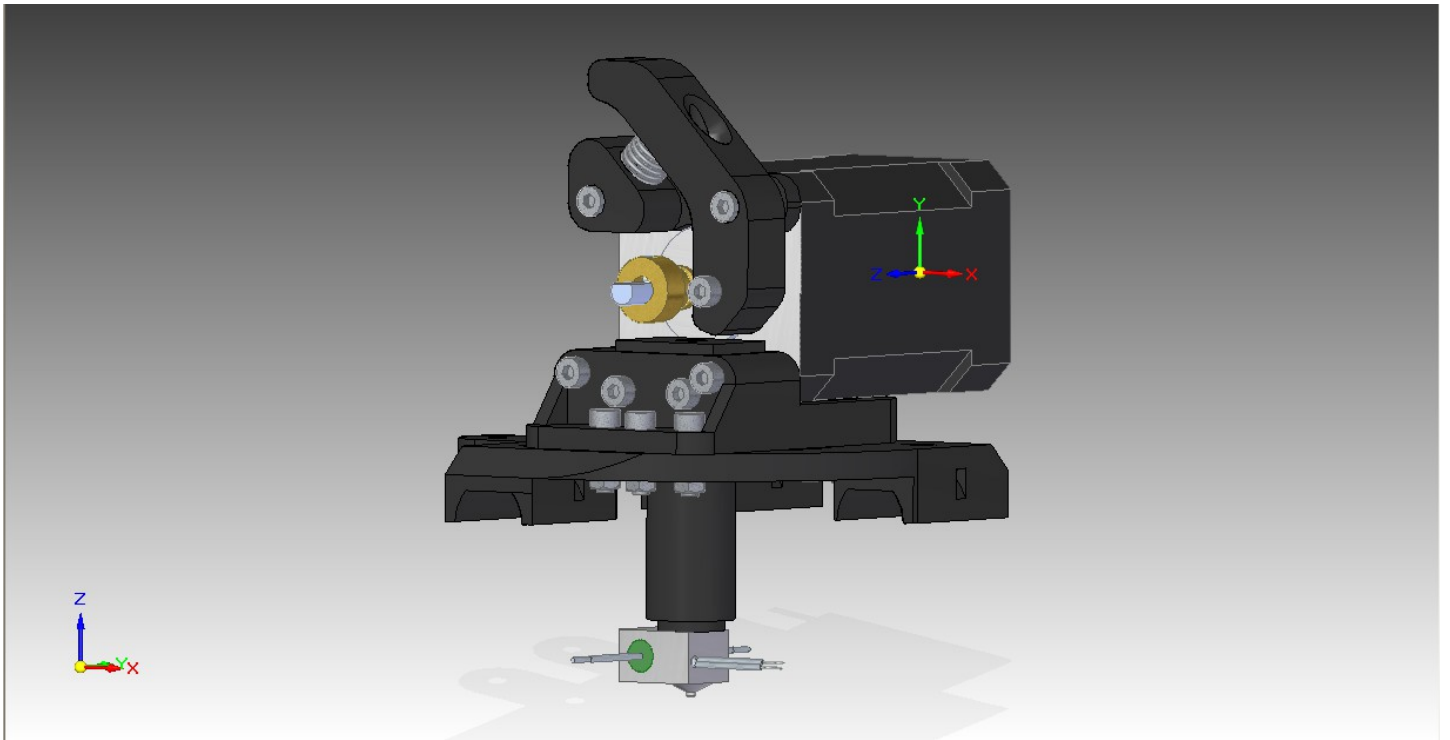


K Extruder Documents

Chris

2012-07-06

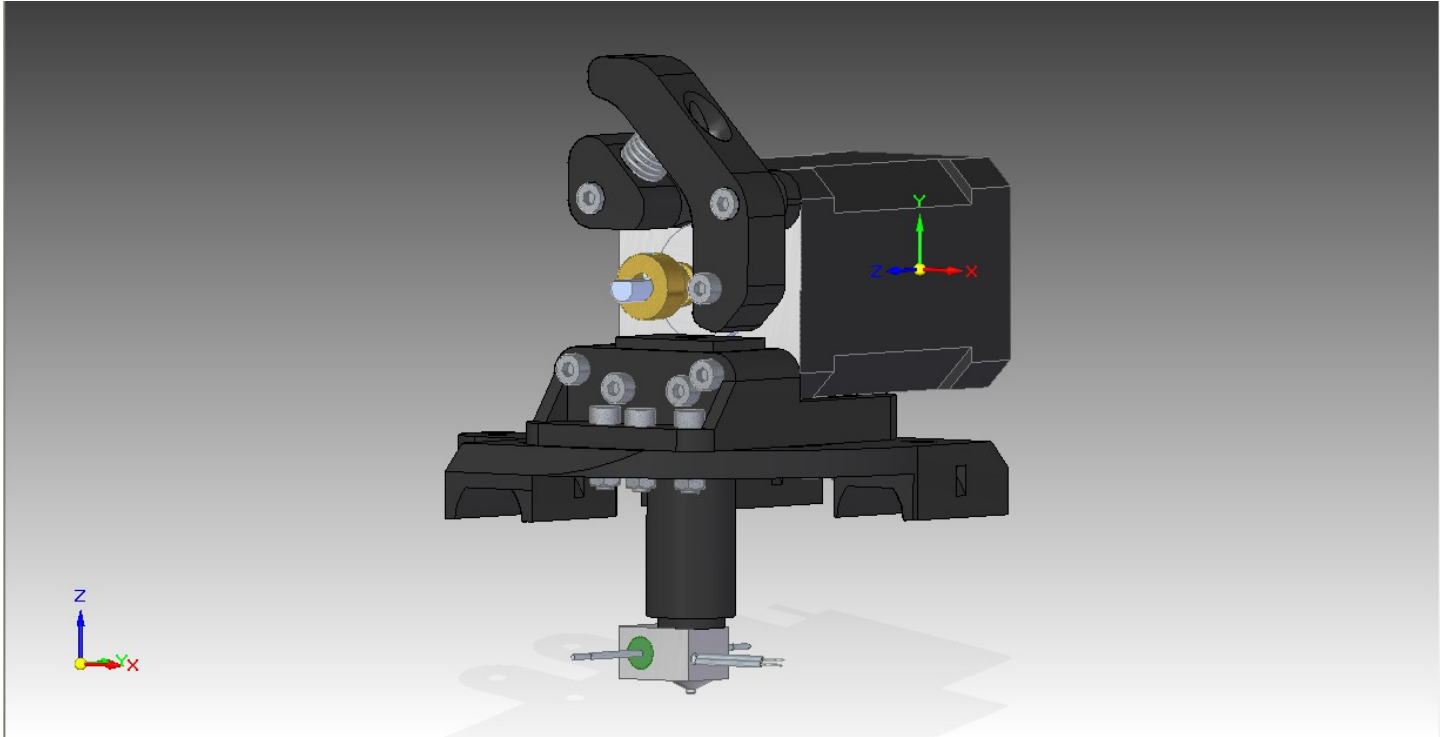


The K Extruder is based on [Minimalistic Mk7 replacement](#).

Contents 内容目录

<u>Assemble the K Extruder 组装K型挤出机.....</u>	<u>3</u>
<u> Assemble the 623zz bearing 组装623zz轴承.....</u>	<u>4</u>
<u> Install the driving gear 安装驱动齿.....</u>	<u>5</u>
<u> Install the extruder spring holder 安装挤出机弹簧座.....</u>	<u>7</u>
<u> Install the extruder spring holder 安装挤出机轴承座.....</u>	<u>9</u>
<u> Install the extruder spring 安装挤出机弹簧.....</u>	<u>11</u>
<u> Install the extruder motor holder 安装挤出机马达座.....</u>	<u>12</u>
<u> Install the extruder base 安装挤出机底座.....</u>	<u>14</u>
<u>Assemble the J head nozzle 组装J型挤出头.....</u>	<u>16</u>
<u> Assemble the J head nozzle 组装J型挤出头.....</u>	<u>17</u>
<u> Assemble J head and K Extruder 装配挤出头和挤出机.....</u>	<u>19</u>

Assemble the K Extruder 组装K型挤出机



K Extruder is features a spring-tensioned, quick-release 623 bearing idler. The back is also open to make it easy to clean the teeth of the drive gear. K型挤出机由弹簧、轴承构成的。很容易清理驱动齿。

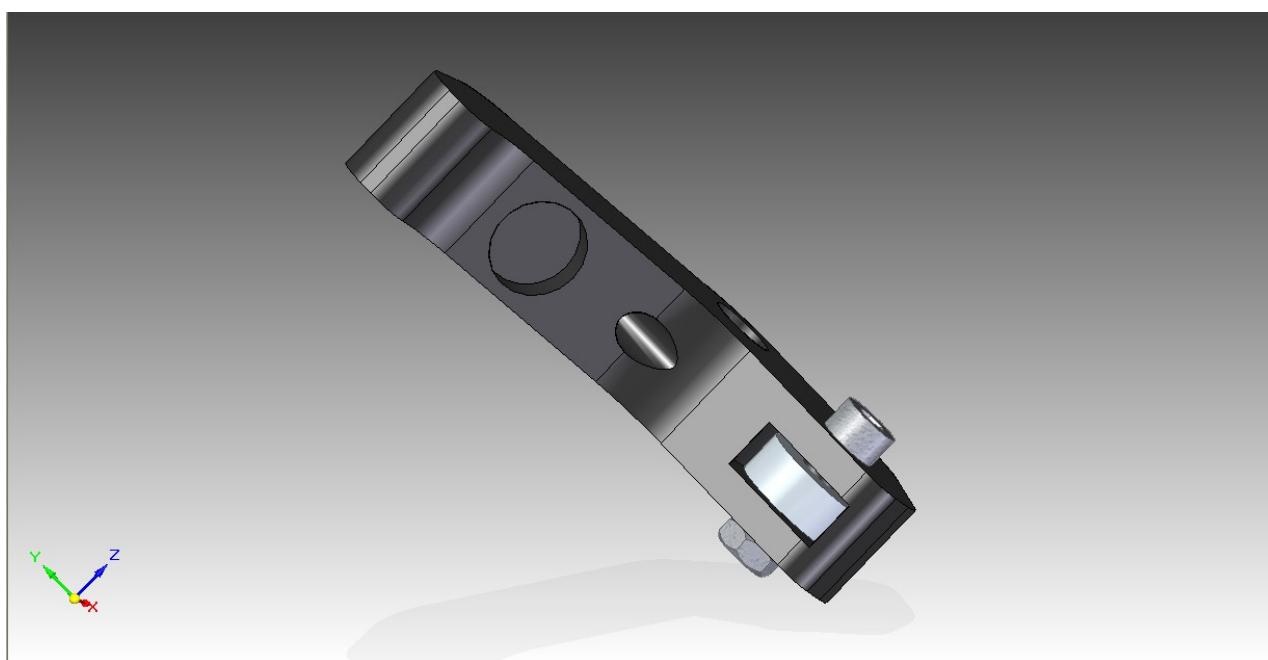
Assemble the 623zz bearing 组装 623zz 轴承

Things needed: 所需零件 :

English	Chinese
1x K-Extruder-Bearing-Holder	一个挤出机轴承座
1x 623zz bearing	一个 623zz 轴承
1x M3x12 screw	一个 M3x12 螺丝
1x M3 nut	一个 M3 螺母



Put the 623zz bearing into the holder. 把 623zz 轴承塞到座子里。

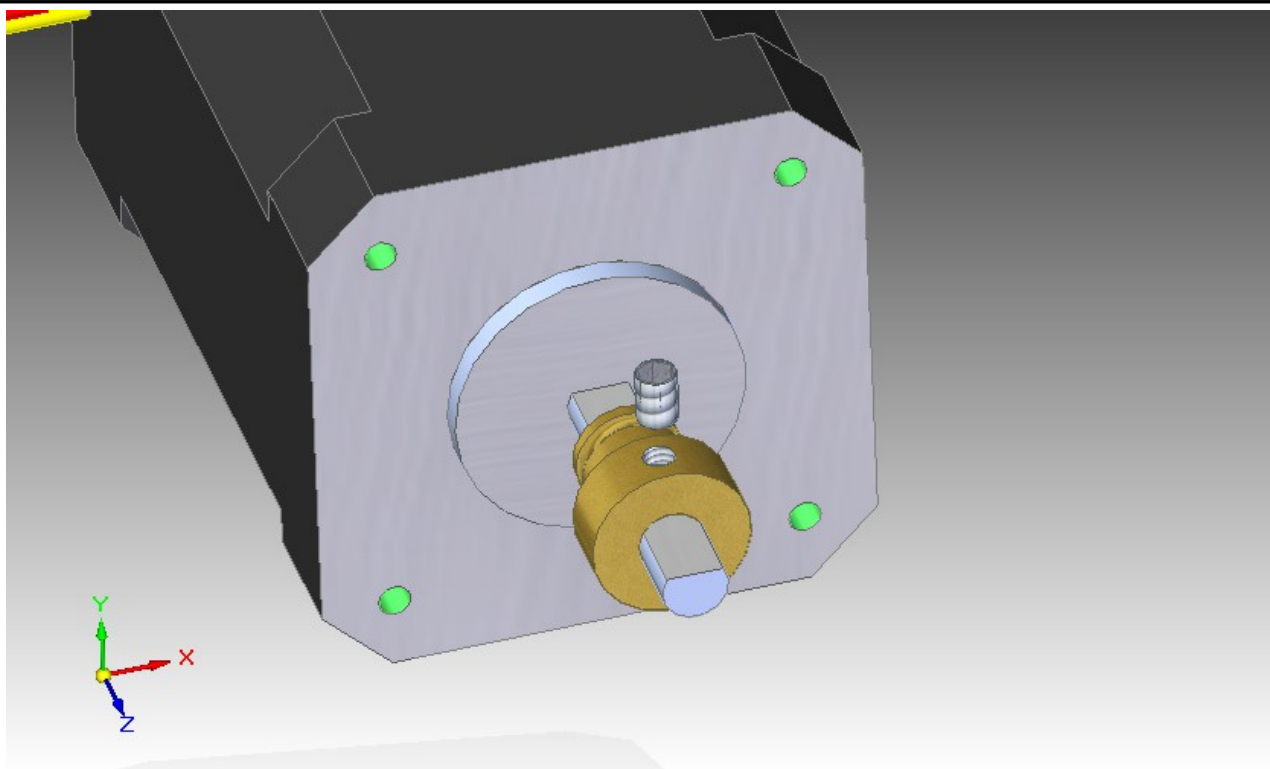


Tighten the screws. 拧紧螺丝。

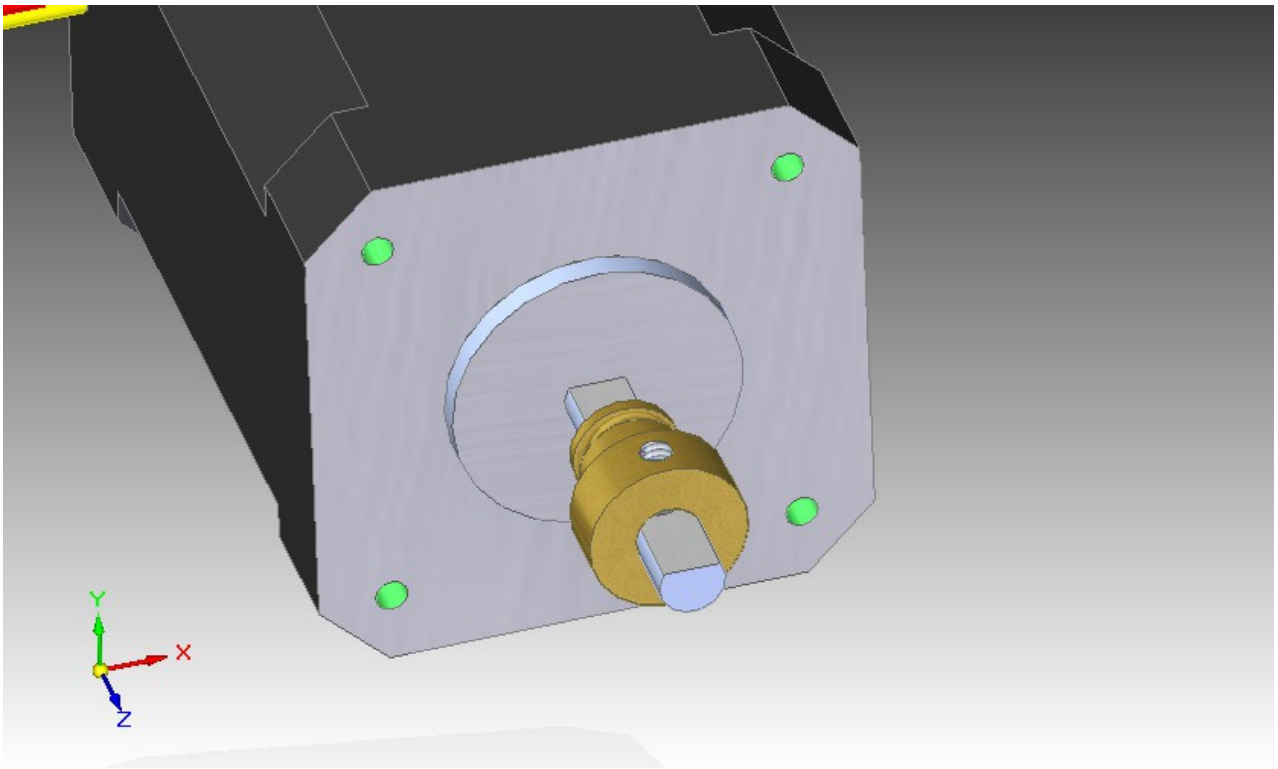
Install the driving gear 安装驱动齿

Things needed: 所需零件 :

English	Chinese
1x Motor	一个马达
1x extruder driving gear	一个挤出机驱动齿
1x M3x4 Hollow-lock socket set screw	一个 M3x4 顶丝



Insert the gear on the motor's axis, make sure the distance from the gear to the motor is 6.25mm. 把驱动齿装入马达轴，确保间距是 6.25mm。并且顶丝孔要对准马达轴的平面部分。



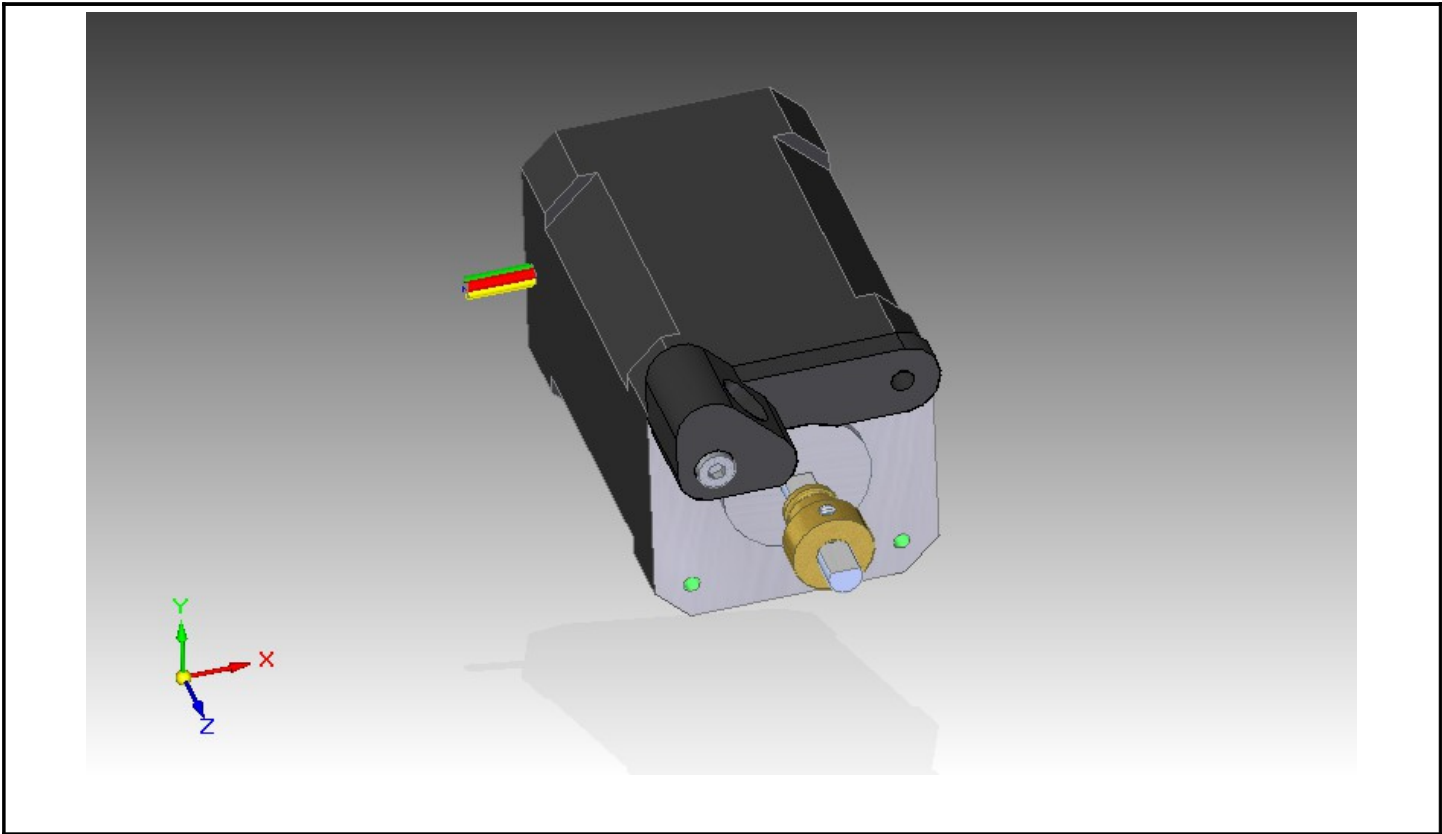
Tighten the Hollow-lock socket set screw. 拧紧顶丝

Install the extruder spring holder 安装挤出机弹簧座

Things needed: 所需零件 :

English	Chinese
1x extruder spring holder	一个挤出机弹簧座
1x M3x16 screw	一个 M3x16 螺丝

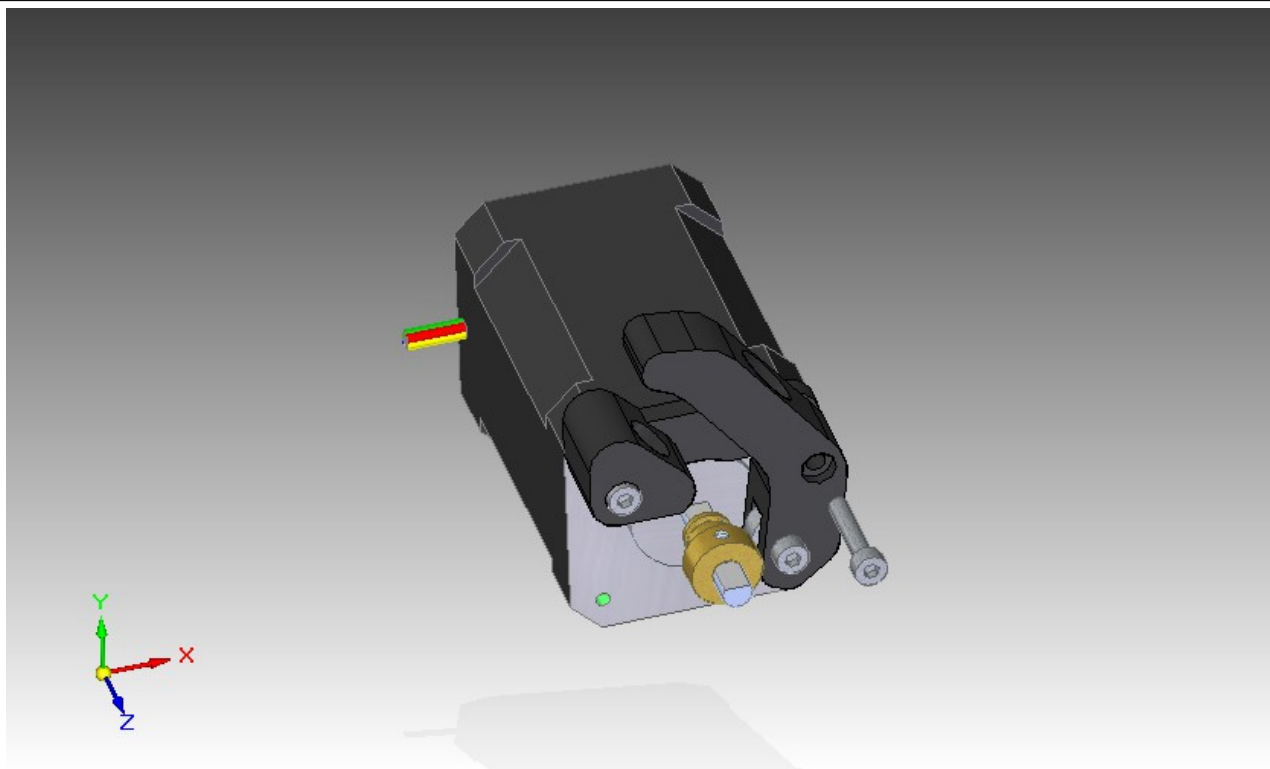


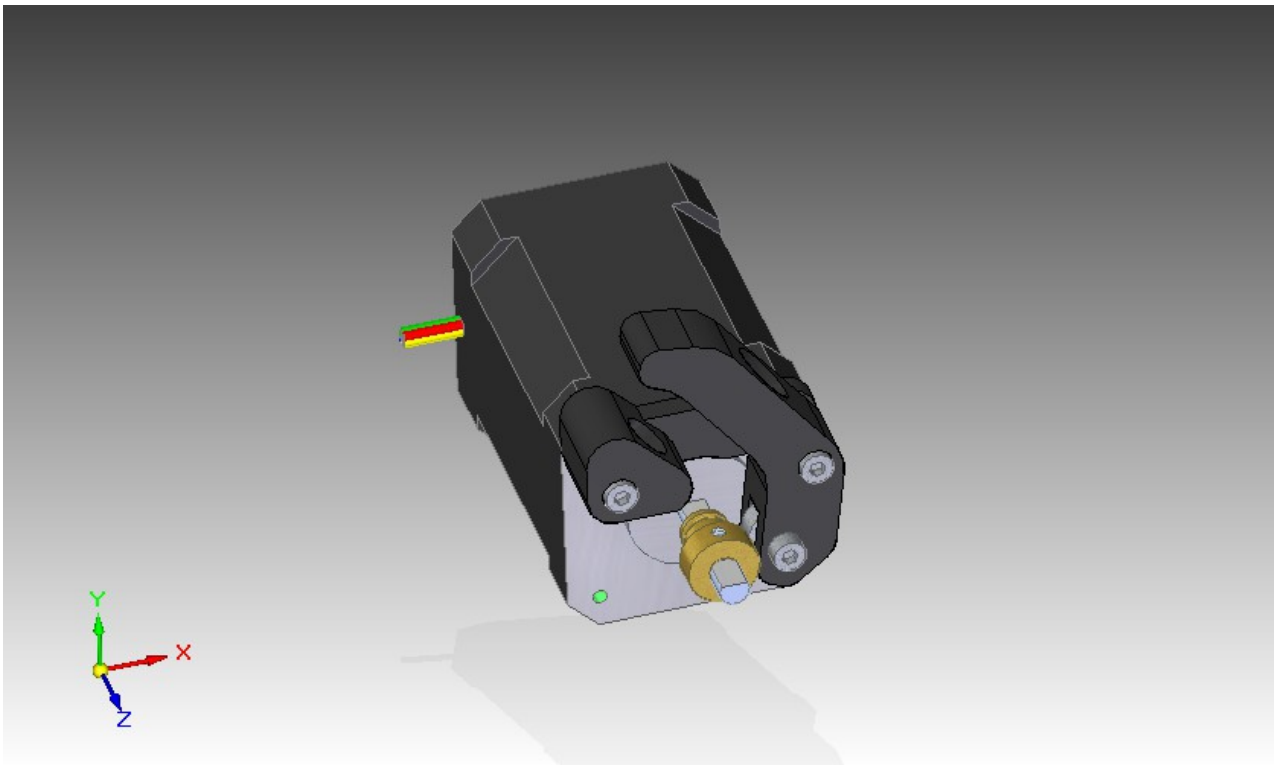


Install the extruder spring holder 安装挤出机轴承座

Things needed: 所需零件 :

English	Chinese
1x M3x16 screw	一个 M3x16 螺丝

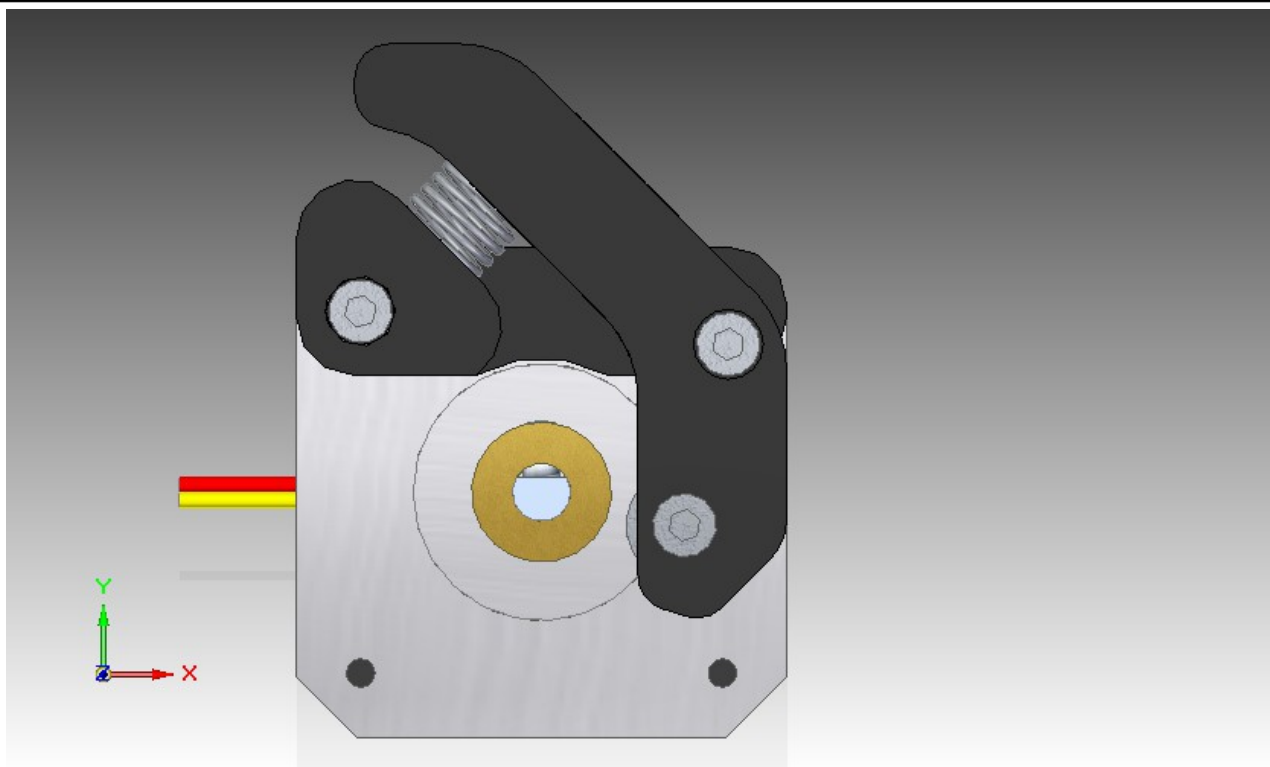




Install the extruder spring 安装挤出机弹簧

Things needed: 所需零件 :

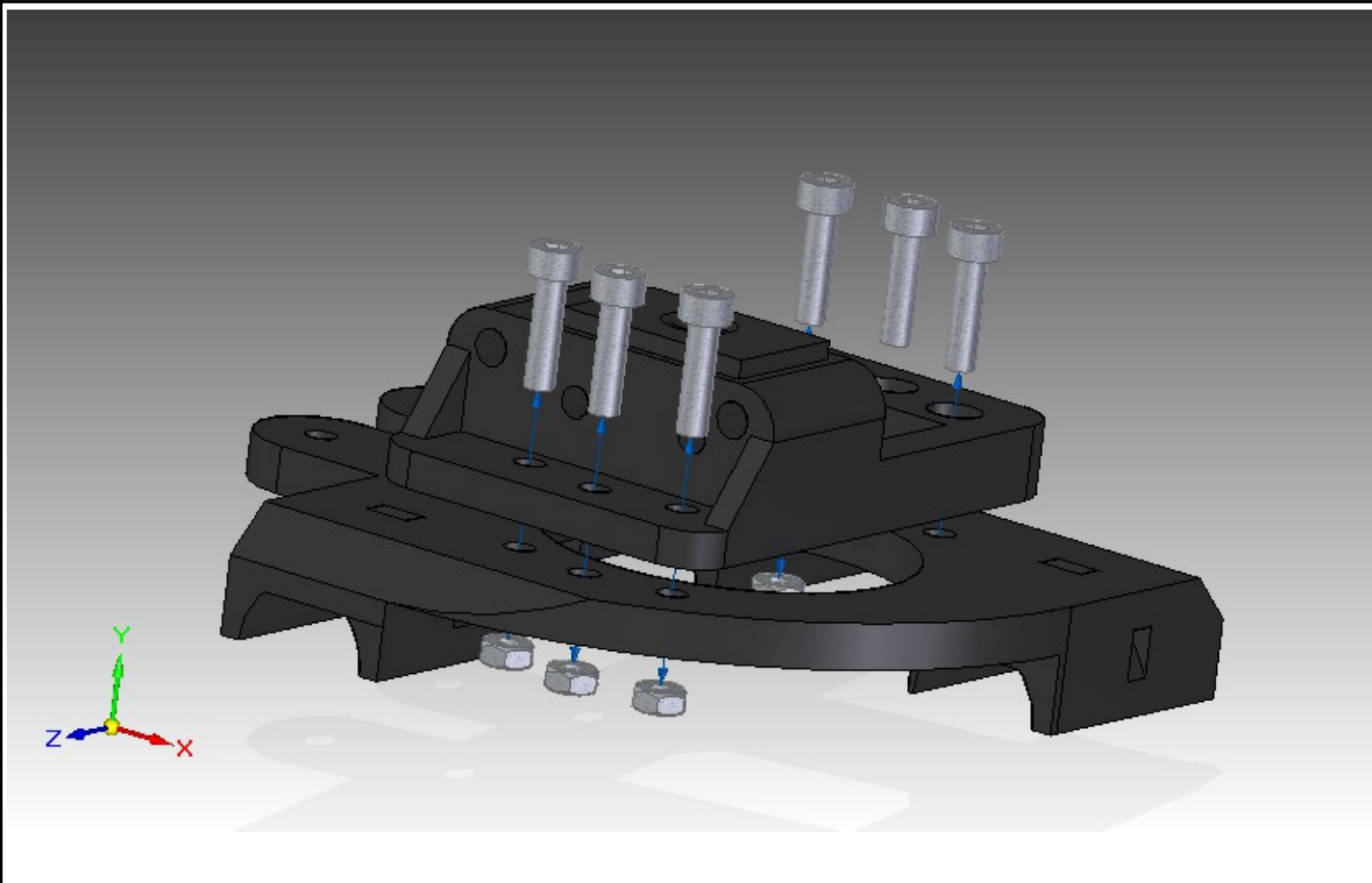
English	Chinese
1x extruder spring	一个挤出机弹簧

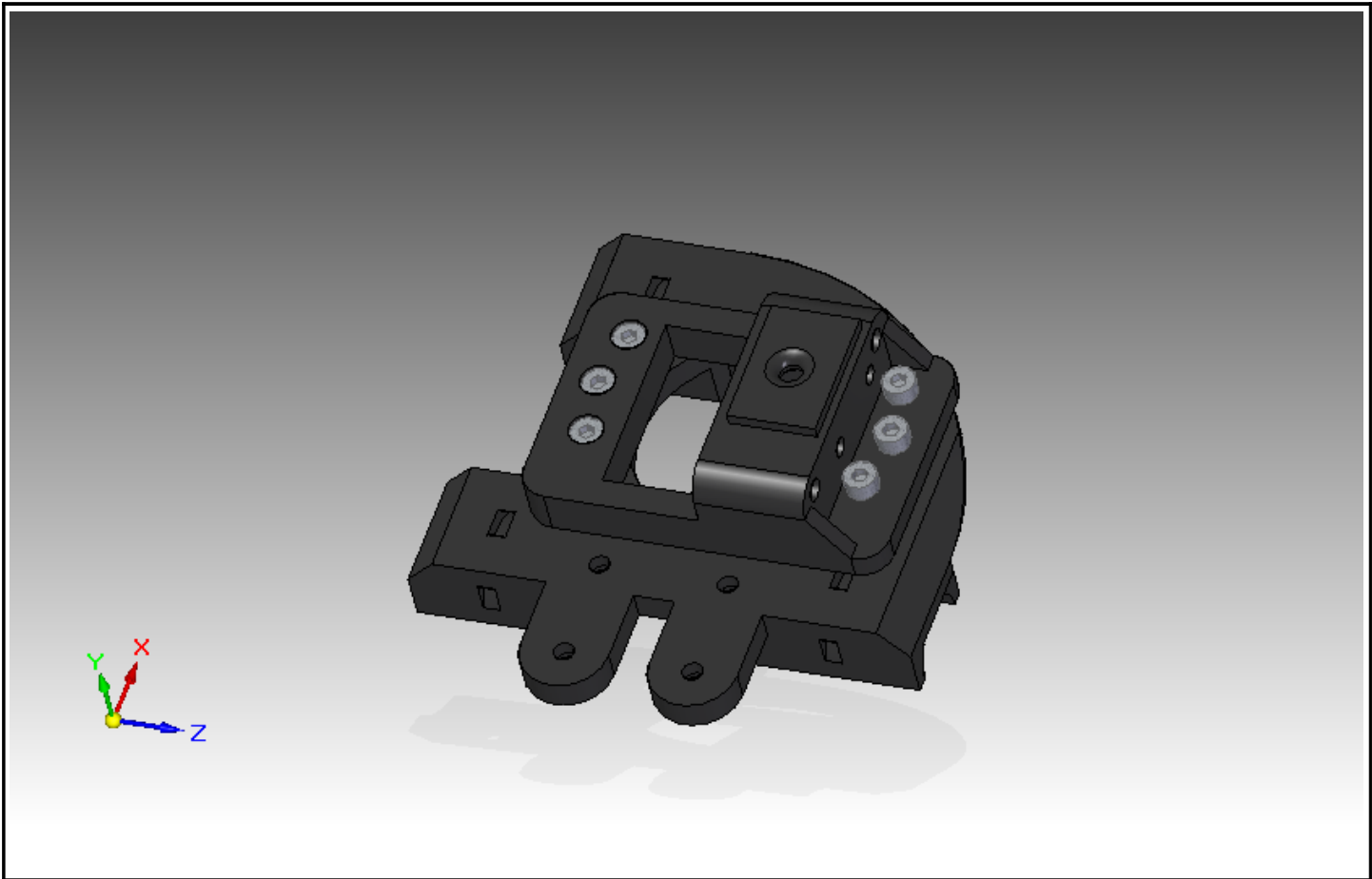


Install the extruder motor holder 安装挤出机马达座

Things needed: 所需零件 :

English	Chinese
6x M3x12 screws	六个 M3x12 螺丝
6x M3 nuts	六个 M3 螺母
1x K-Extruder-Motor-Holder	一个挤出机马达座
1x X-carriage	一个 X 轴承座

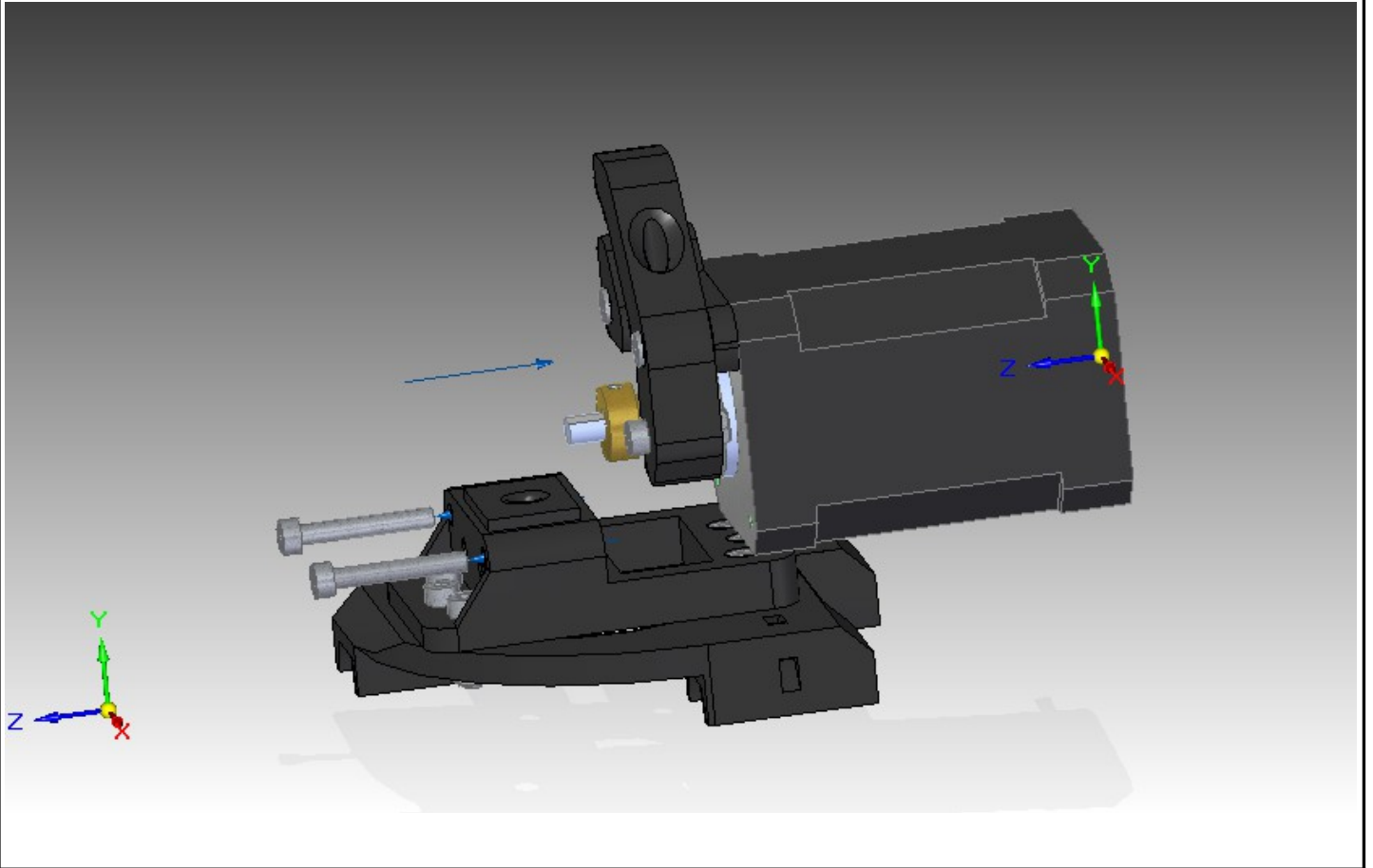


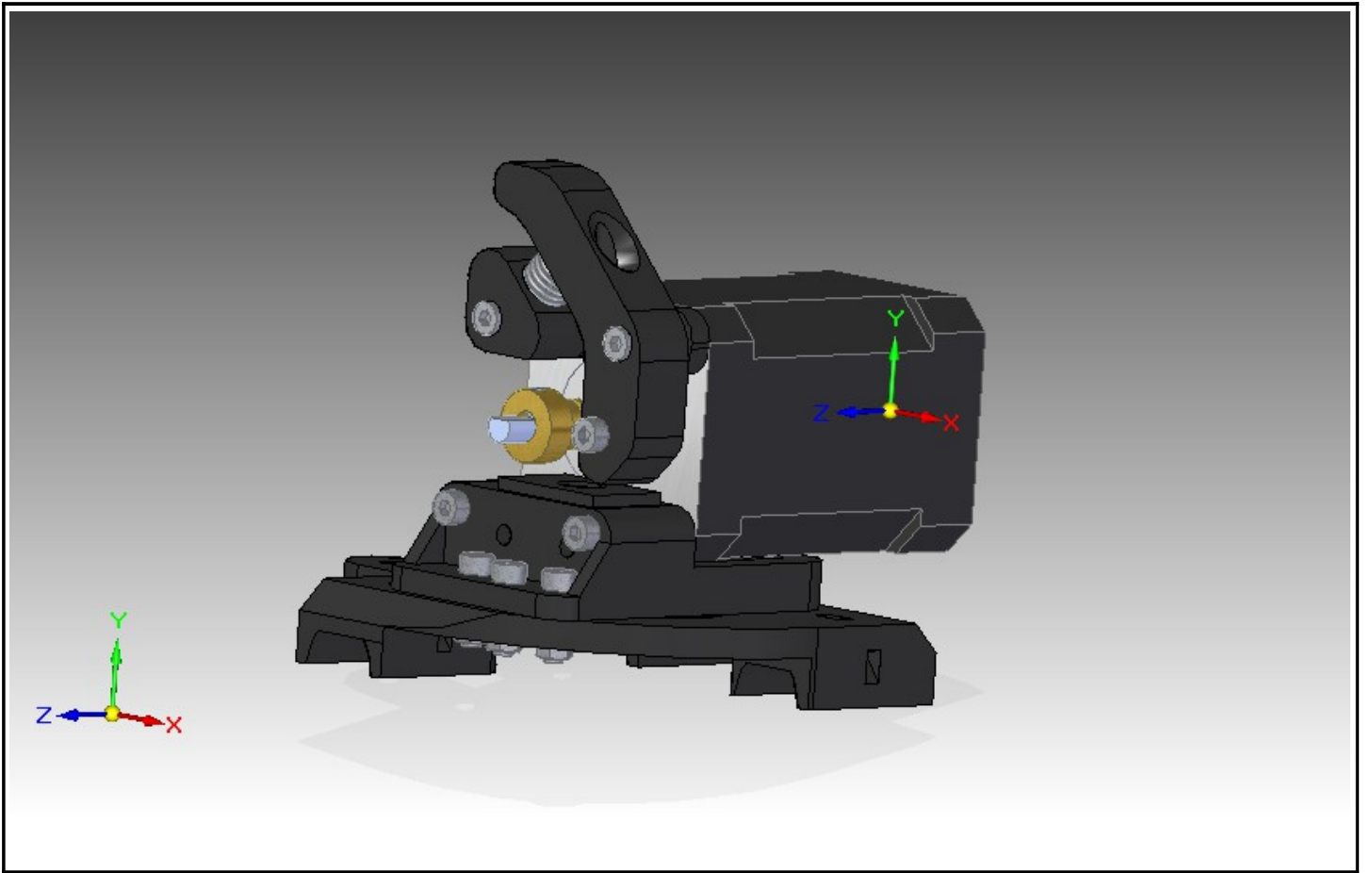


Install the extruder base 安装挤出机底座

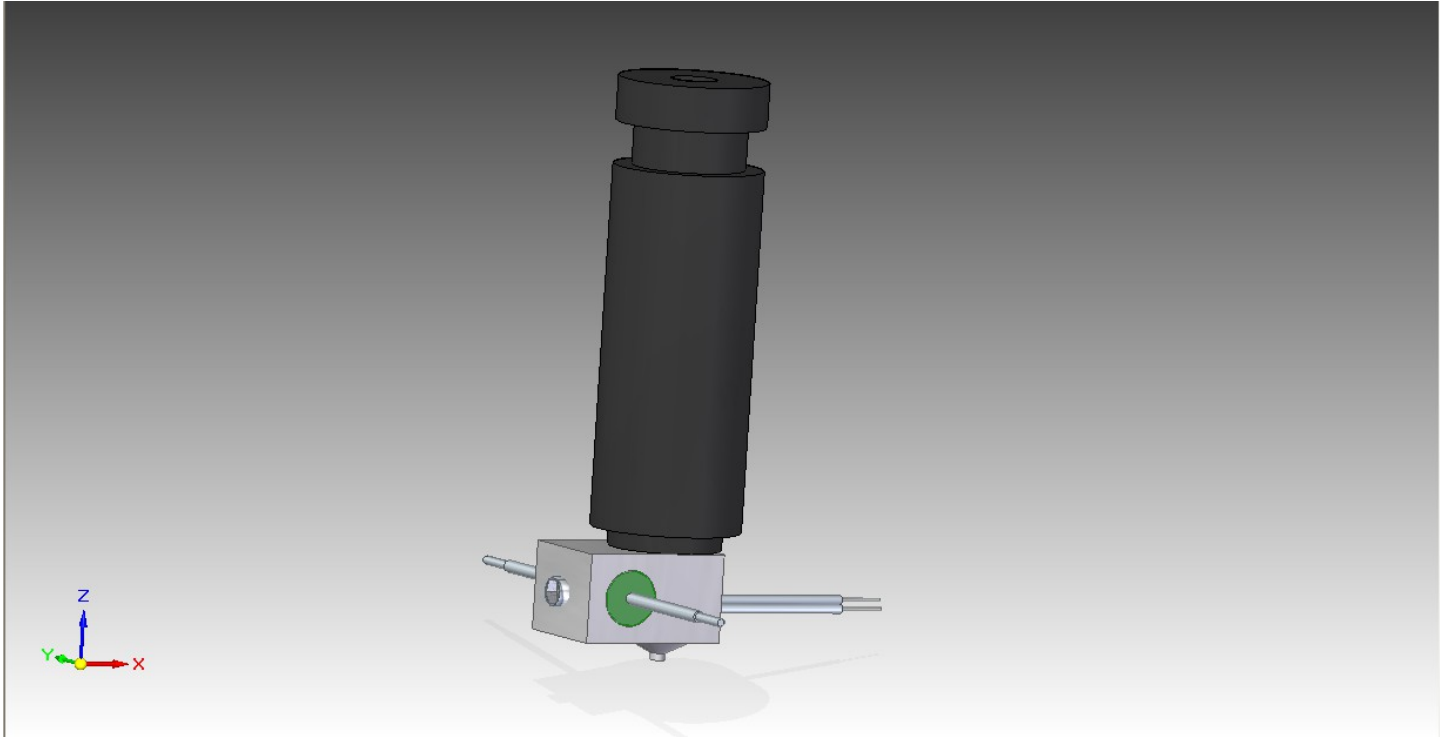
Things needed: 所需零件 :

English	Chinese
2x M3x22 screws	两个 M3x22 螺丝





Assemble the J head nozzle 组装J型挤出头



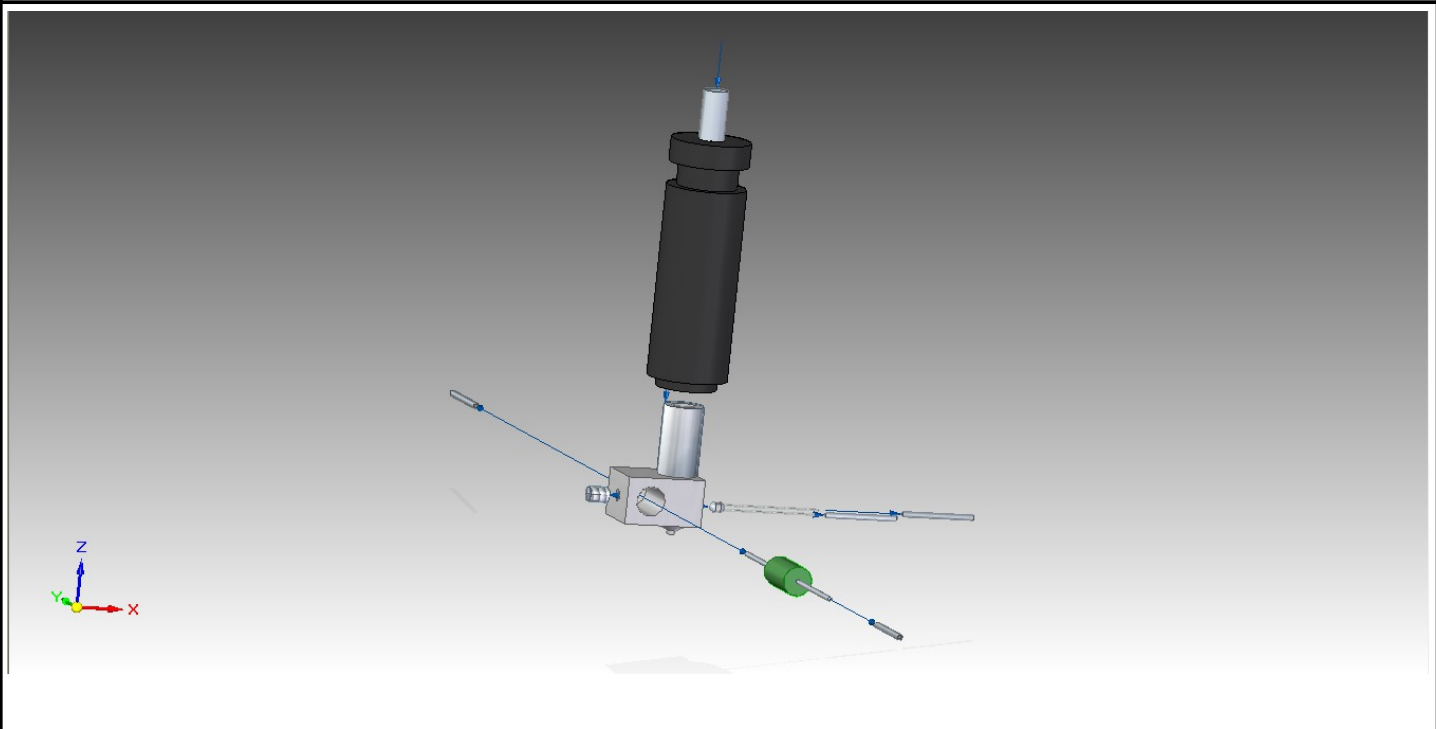
It is the MKII. Please refer to http://www.reprap.org/wiki/J_Head_Nozzle for more information. It include the nozzle, nozzle holder, ptfe tube, heater, sensor and so on.

很轻, 只有17克。材料选用合理, 很坚固。走丝顺畅。

Assemble the J head nozzle 组装J型挤出头

Things needed: 所需零件：

English	Chinese
1x J-Head Nozzle (v1.x)	一个喷嘴
1x Nozzle Holder (v2)	一个喷嘴座
1x PTFE liner	一根特氟龙衬里
1x Heater Resistor	一个发热电阻
1x Thermistor	一个温度探头
1x Hollow-lock socket set screw	一个顶丝
2x PTFE tube \varnothing .5mm	两根 \varnothing .5mm 特氟龙管
2x PTFE tube \varnothing .8mm	两根 \varnothing .8mm 特氟龙管





Assemble J head and K Extruder 装配挤出头和挤出机

Things needed: 所需零件 :

English	Chinese
2x M3x20 screw	两个 M3x20 螺丝

